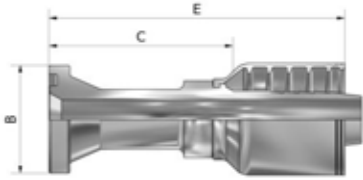


DF20S SERIES(SAE Code 61 Flange Straight)

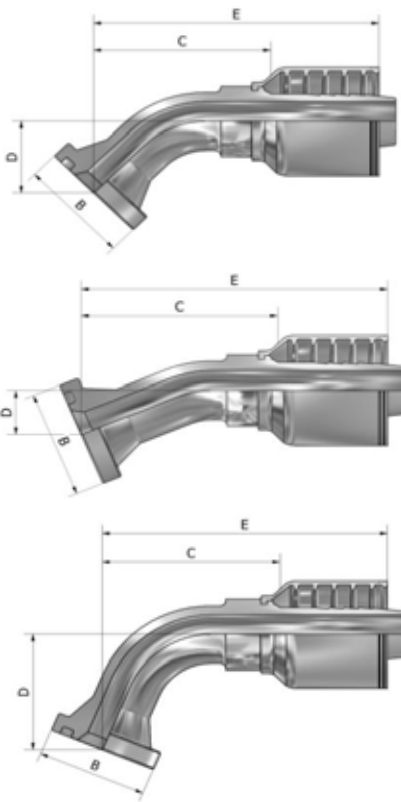
USA



PART NUMBER	Products Description								
	Hose In-Dia	Flange Size	Flange Dia		Tail-Growth		Overall length		
			MM	Inch	MM	Inch	MM	Inch	
		A	B		C		E		
DF20S-08-08	1/2	1/2	30.2	1.19	57.6	2.27	87.8	3.46	
DF20S-10-08	1/2	5/8	34.1	1.34	31.9	1.26	62.1	2.44	
DF20S-10-10	5/8	5/8	34.1	1.34	61.9	2.44	97.2	3.83	
DF20S-10-12	3/4	5/8	34.1	1.34	64.8	2.55	100.2	3.94	
DF20S-12-08	1/2	3/4	38.1	1.50	31.7	1.25	61.9	2.44	
DF20S-12-10	5/8	3/4	38.1	1.50	35.2	1.39	70.5	2.78	
DF20S-12-12	3/4	3/4	38.1	1.50	62.6	2.46	98.0	3.86	
DF20S-16-12	3/4	1"	44.5	1.75	34.2	1.35	69.6	2.74	
DF20S-16-16	1"	1"	44.5	1.75	67.1	2.64	107.9	4.25	
DF20S-16-20	1-1/4	1"	44.5	1.75	67.6	2.66	111.3	4.38	
DF20S-20-12	3/4	1-1/4	50.8	2.00	39.8	1.57	75.2	2.96	
DF20S-20-16	1"	1-1/4	50.8	2.00	40.4	1.59	81.2	3.20	
DF20S-20-20	1-1/4	1-1/4	50.8	2.00	75.7	2.98	119.4	4.70	
DF20S-24-16	1"	1-1/2	60.3	2.37	45.6	1.80	86.4	3.40	
DF20S-24-20	1-1/4	1-1/2	60.3	2.37	38.1	1.50	81.8	3.22	
DF20S-24-24	1-1/2	1-1/2	60.3	2.37	82.2	3.24	116.6	4.59	
DF20S-32-24	1-1/2	2"	71.4	2.81	45.4	1.79	79.8	3.14	
DF20S-32-32	2"	2"	71.4	2.81	83.2	3.28	127.1	5.00	
DF20S-40-32	2"	2-1/2	84.1	3.31	53.7	2.11	97.6	3.84	

DF24S SERIES(SAE Code 61 Flange 22.5° ~ 67.5°)

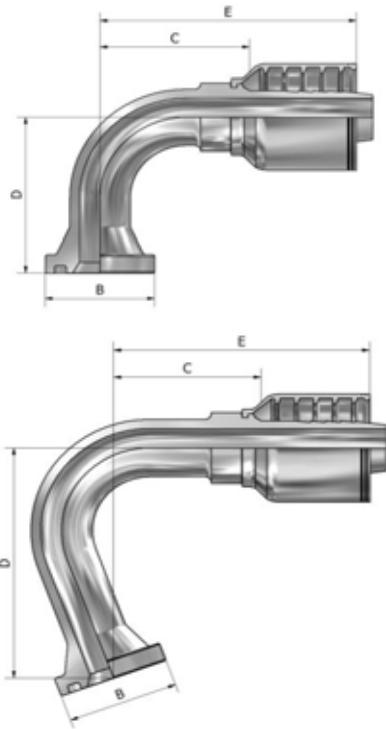
USA



PART NUMBER	Products Description									
	Hose In-Dia	Flange Size	Flange Dia		Tail-Growth		Drop		Overall length	
			MM	Inch	MM	Inch	MM	Inch	MM	Inch
			B		C		D		E	
DF24S-08-08	1/2	1/2	30.2	1.19	51.6	2.03	21.5	0.85	81.8	3.22
DF24S-10-08	1/2	5/8	34.1	1.34	51.8	2.04	21.5	0.85	82.0	3.23
DF24S-10-10	5/8	5/8	34.1	1.34	67.7	2.67	37.1	1.46	103.0	4.06
DF24S-12-08	1/2	3/4	38.1	1.50	52.3	2.06	22.0	0.87	82.5	3.25
DF24S-12-12	3/4	3/4	38.1	1.50	62.4	2.46	26.0	1.02	97.8	3.85
DF24S-12-12A22.5	3/4	3/4	38.1	1.50	68.0	2.68	15.8	0.62	103.3	4.07
DF24S-12-12A30	3/4	3/4	38.1	1.50	66.3	2.61	19.9	0.78	101.6	4.00
DF24S-12-12A60	3/4	3/4	38.1	1.50	65.4	2.57	39.2	1.54	100.7	3.96
DF24S-12-12A67.5	3/4	3/4	38.1	1.50	63.0	2.48	42.4	1.67	98.4	3.87
DF24S-16-12	3/4	1"	44.5	1.75	64.2	2.53	28.0	1.10	99.6	3.92
DF24S-16-12A22.5	3/4	1"	44.5	1.75	72.2	2.84	16.9	0.67	107.5	4.23
DF24S-16-12A30	3/4	1"	44.5	1.75	68.7	2.70	21.3	0.84	104.0	4.09
DF24S-16-12A60	3/4	1"	44.5	1.75	65.4	2.57	42.1	1.66	100.8	3.97
DF24S-16-12A67.5	3/4	1"	44.5	1.75	62.1	2.44	44.1	1.74	97.4	3.83
DF24S-16-16	1"	1"	44.5	1.75	79.3	3.12	32.0	1.26	120.1	4.73
DF24S-16-16A22.5	1"	1"	44.5	1.75	83.5	3.29	19.7	0.78	124.3	4.89
DF24S-16-16A30	1"	1"	44.5	1.75	82.9	3.26	24.8	0.98	123.7	4.87
DF24S-16-16A60	1"	1"	44.5	1.75	74.0	2.91	38.0	1.50	114.8	4.52
DF24S-16-16A67.5	1"	1"	44.5	1.75	80.9	3.19	61.4	2.42	121.7	4.79
DF24S-20-12	3/4	1-1/4	50.8	2.00	66.2	2.61	30.0	1.18	101.6	4.00
DF24S-20-16	1"	1-1/4	50.8	2.00	76.0	2.99	32.0	1.26	116.8	4.60
DF24S-20-16A22.5	1"	1-1/4	50.8	2.00	84.0	3.31	19.6	0.77	124.0	4.88
DF24S-20-16A30	1"	1-1/4	50.8	2.00	81.2	3.20	24.6	0.97	122.0	4.80
DF24S-20-16A60	1"	1-1/4	50.8	2.00	84.1	3.31	58.6	2.31	124.9	4.92
DF24S-20-16A67.5	1"	1-1/4	50.8	2.00	79.1	3.11	61.4	2.42	119.9	4.72
DF24S-20-20	1-1/4	1-1/4	50.8	2.00	98.3	3.87	38.0	1.50	142.0	5.59
DF24S-20-20A22.5	1-1/4	1-1/4	50.8	2.00	98.1	3.86	19.7	0.78	141.8	5.58
DF24S-20-20A30	1-1/4	1-1/4	50.8	2.00	96.2	3.79	24.5	0.96	139.8	5.50
DF24S-20-20A60	1-1/4	1-1/4	50.8	2.00	94.9	3.74	47.2	1.86	138.6	5.46
DF24S-20-20A67.5	1-1/4	1-1/4	50.8	2.00	92.1	3.63	49.0	1.93	135.7	5.34
DF24S-24-20	1-1/4	1-1/2	60.3	2.37	98.3	3.87	38.0	1.50	142.0	5.59
DF24S-24-20A22.5	1-1/4	1-1/2	60.3	2.37	106.7	4.20	23.2	0.91	150.3	5.92
DF24S-24-20A30	1-1/4	1-1/2	60.3	2.37	104.1	4.10	29.1	1.15	147.8	5.82
DF24S-24-20A60	1-1/4	1-1/2	60.3	2.37	94.9	3.74	47.2	1.86	138.6	5.46
DF24S-24-20A67.5	1-1/4	1-1/2	60.3	2.37	92.1	3.63	49.0	1.93	135.7	5.34
DF24S-24-24	1-1/2	1-1/2	60.3	2.37	112.4	4.43	41.0	1.61	146.8	5.78
DF24S-24-24A22.5	1-1/2	1-1/2	60.3	2.37	112.0	4.41	21.7	0.85	146.4	5.76
DF24S-24-24A30	1-1/2	1-1/2	60.3	2.37	110.0	4.33	26.9	1.06	144.4	5.69
DF24S-24-24A60	1-1/2	1-1/2	60.3	2.37	113.2	4.46	56.9	2.24	147.6	5.81
DF24S-24-24A67.5	1-1/2	1-1/2	60.3	2.37	109.8	4.32	59.0	2.32	144.2	5.68
DF24S-32-24	1-1/2	2"	71.4	2.81	121.4	4.78	50.0	1.97	155.8	6.13
DF24S-32-24A22.5	1-1/2	2"	71.4	2.81	133.9	5.27	30.8	1.21	168.3	6.63
DF24S-32-24A30	1-1/2	2"	71.4	2.81	130.5	5.14	38.8	1.53	164.9	6.49
DF24S-32-24A60	1-1/2	2"	71.4	2.81	121.3	4.78	71.0	2.80	155.7	6.13
DF24S-32-24A67.5	1-1/2	2"	71.4	2.81	116.1	4.57	74.1	2.92	150.5	5.93
DF24S-32-32	2"	2"	71.4	2.81	140.2	5.52	50.0	1.97	184.1	7.25
DF24S-32-32A22.5	2"	2"	71.4	2.81	150.0	5.91	31.9	1.26	193.9	7.63
DF24S-32-32A30	2"	2"	71.4	2.81	143.2	5.64	37.3	1.47	187.1	7.37
DF24S-32-32A60	2"	2"	71.4	2.81	147.8	5.82	77.1	3.04	191.7	7.55
DF24S-32-32A67.5	2"	2"	71.4	2.81	143.6	5.65	79.9	3.15	187.5	7.38

DF29S SERIES(SAE Code 61 Flange 90~110°)

US1



PART NUMBER	Products Description									
	Hose In-Dia	Flange Size	Flange Dia		Tail-Growth		Drop		Overall length	
			MM	Inch	MM	Inch	MM	Inch	MM	Inch
			B		C		D		E	
DF29S-08-08	1/2	1/2	30.2	1.19	47.8	1.88	43.0	1.69	78.0	3.07
DF29S-10-08	1/2	5/8	34.1	1.34	44.9	1.77	50.0	1.97	75.1	2.96
DF29S-10-10	5/8	5/8	34.1	1.34	45.3	1.78	53.0	2.09	80.6	3.17
DF29S-12-08	1/2	3/4	38.1	1.50	44.9	1.77	50.0	1.97	75.1	2.96
DF29S-12-10	5/8	3/4	38.1	1.50	45.3	1.78	53.0	2.09	80.6	3.17
DF29S-12-12	3/4	3/4	38.1	1.50	53.8	2.12	58.0	2.28	89.1	3.51
DF29S-12-12A110	3/4	3/4	38.1	1.50	52.1	2.05	84.0	3.31	87.4	3.44
DF29S-12-12D83	3/4	3/4	38.1	1.50	53.8	2.12	83.0	3.27	89.1	3.51
DF29S-12-12D100	3/4	3/4	38.1	1.50	53.8	2.12	100.0	3.94	89.2	3.51
DF29S-12-12D122	3/4	3/4	38.1	1.50	53.8	2.12	122.0	4.80	89.2	3.51
DF29S-16-12	3/4	1"	44.5	1.75	53.8	2.12	58.0	2.28	89.1	3.51
DF29S-16-12A100	3/4	1"	44.5	1.75	60.4	2.38	85.8	3.38	95.8	3.77
DF29S-16-12A110	3/4	1"	44.5	1.75	52.1	2.05	84.0	3.31	87.4	3.44
DF29S-16-12D80	3/4	1"	44.5	1.75	53.8	2.12	80.0	3.15	89.2	3.51
DF29S-16-16	1"	1"	44.5	1.75	66.3	2.61	70.0	2.76	107.1	4.22
DF29S-16-16A110	1"	1"	44.5	1.75	58.4	2.30	94.0	3.70	99.2	3.91
DF29S-16-16D117	1"	1"	44.5	1.75	66.3	2.61	117.0	4.61	107.1	4.22
DF29S-16-16D150	1"	1"	44.5	1.75	66.3	2.61	150.0	5.91	107.1	4.22
DF29S-16-16D90	1"	1"	44.5	1.75	66.3	2.61	90.0	3.54	107.1	4.22
DF29S-16-20	1-1/4	1"	44.5	1.75	68.5	2.70	70.0	2.76	112.2	4.42
DF29S-20-12	3/4	1-1/4	50.8	2.00	53.8	2.12	58.0	2.28	89.1	3.51
DF29S-20-16	1"	1-1/4	50.8	2.00	66.3	2.61	70.0	2.76	107.1	4.22
DF29S-20-16A110	1"	1-1/4	50.8	2.00	62.4	2.46	94.0	3.70	103.2	4.06
DF29S-20-16D100	1"	1-1/4	50.8	2.00	66.3	2.61	100.0	3.94	107.1	4.22
DF29S-20-16D117	1"	1-1/4	50.8	2.00	91.3	3.59	117.0	4.61	132.1	5.20
DF29S-20-20	1-1/4	1-1/4	50.8	2.00	86.7	3.41	82.0	3.23	130.4	5.13
DF29S-20-20A110	1-1/4	1-1/4	50.8	2.00	68.1	2.68	104.0	4.09	111.8	4.40
DF29S-20-20D130	1-1/4	1-1/4	50.8	2.00	106.7	4.20	130.0	5.12	150.4	5.92
DF29S-20-20D140	1-1/4	1-1/4	50.8	2.00	106.7	4.20	140.0	5.51	150.4	5.92
DF29S-20-20D168	1-1/4	1-1/4	50.8	2.00	106.7	4.20	168.0	6.61	150.4	5.92
DF29S-24-16	1"	1-1/2	60.3	2.37	66.3	2.61	75.0	2.95	107.1	4.22
DF29S-24-20	1-1/4	1-1/2	60.3	2.37	86.7	3.41	90.0	3.54	130.4	5.13
DF29S-24-20A110	1-1/4	1-1/2	60.3	2.37	68.1	2.68	104.0	4.09	111.8	4.40
DF29S-24-20D145	1-1/4	1-1/2	60.3	2.37	86.7	3.41	145.0	5.71	130.4	5.13
DF29S-24-24	1-1/2	1-1/2	60.3	2.37	103.6	4.08	104.0	4.09	138.0	5.43
DF29S-24-24D83	1-1/2	1-1/2	60.3	2.37	117.6	4.63	83.0	3.27	152.0	5.98
DF29S-32-24	1-1/2	2"	71.4	2.81	103.6	4.08	104.0	4.09	138.0	5.43
DF29S-32-32	2"	2"	71.4	2.81	137.1	5.40	120.0	4.72	181.0	7.13
DF29S-32-32A110	2"	2"	71.4	2.81	115.3	4.54	154.0	6.06	159.2	6.27